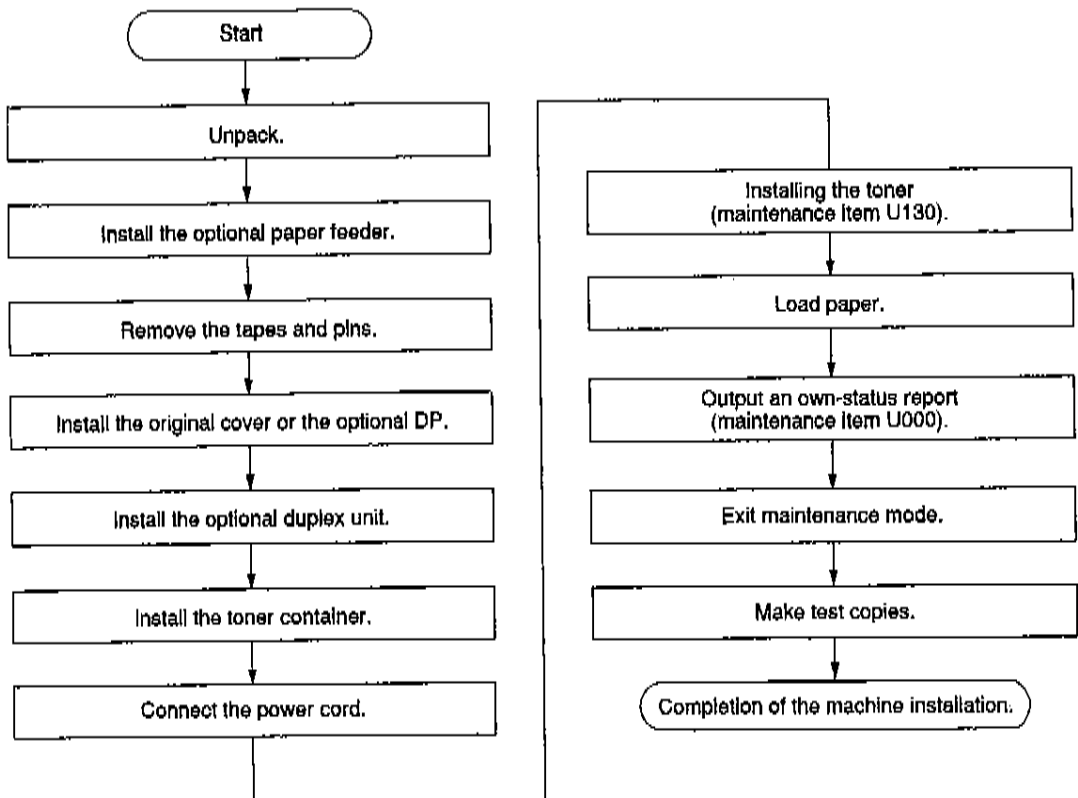


1-3-1 Unpacking and Installation

(1) Installation procedure



CS-1620, 1650, 2020, 2050

Unpack.

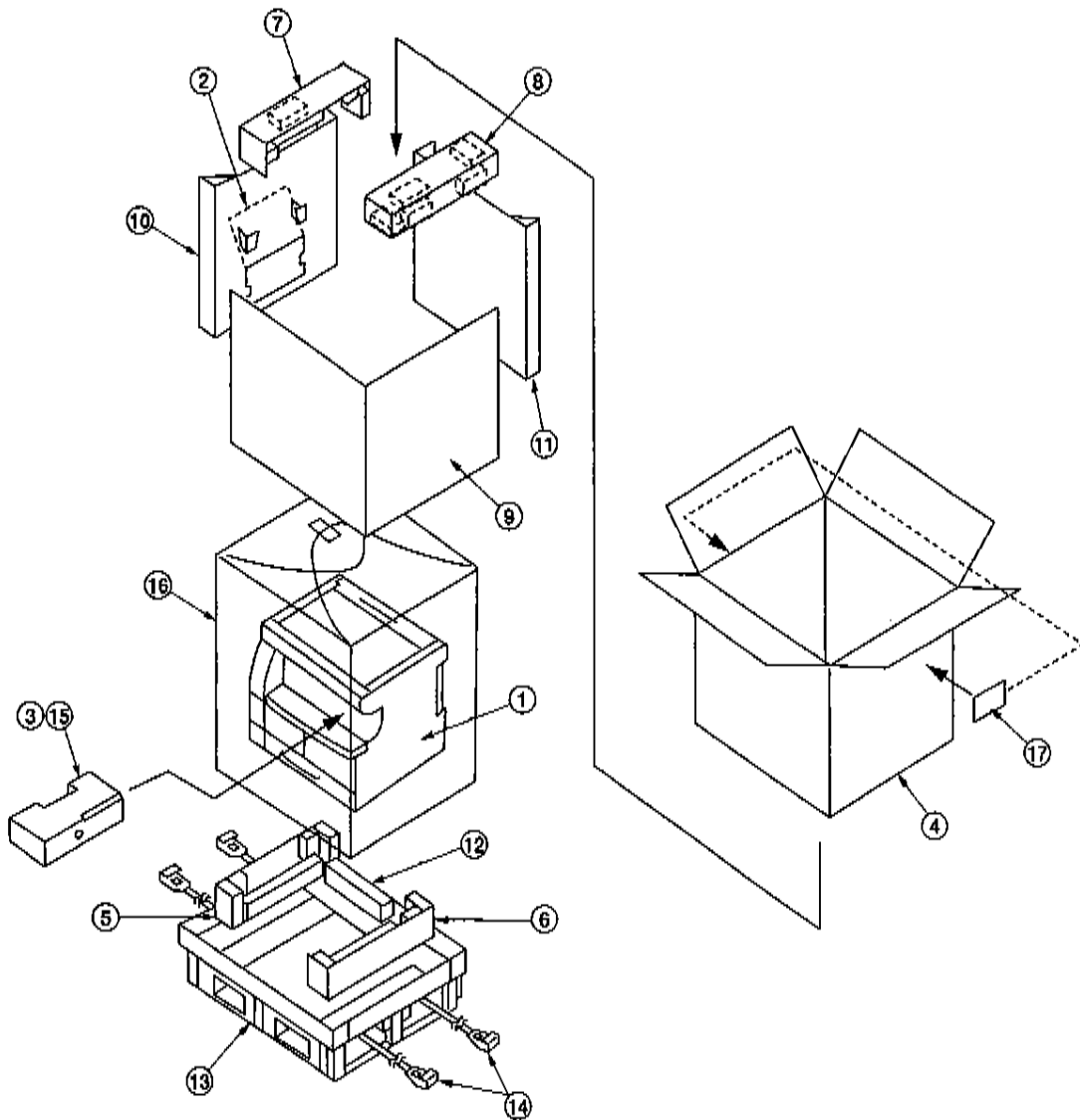


Figure 1-3-1 Unpacking

- | | |
|-------------------|--------------------|
| ① Copier | ⑩ Left spacer |
| ② Power cord | ⑪ Rear spacer |
| ③ Toner container | ⑫ Rear pad |
| ④ Outer case | ⑬ Skid |
| ⑤ Lower left pad | ⑭ Belt |
| ⑥ Lower right pad | ⑮ Cartridge spacer |
| ⑦ Upper left pad | ⑯ Machine cover |
| ⑧ Upper right pad | ⑰ Bar code labels |
| ⑨ Inner frame | |

* Place the machine on a level surface.

Install the optional paper feeder.

1. Install the optional paper feeder as necessary (see page 1-3-6 to 1-3-7).

Remove the tapes and pins.

1. Remove the eight tapes.

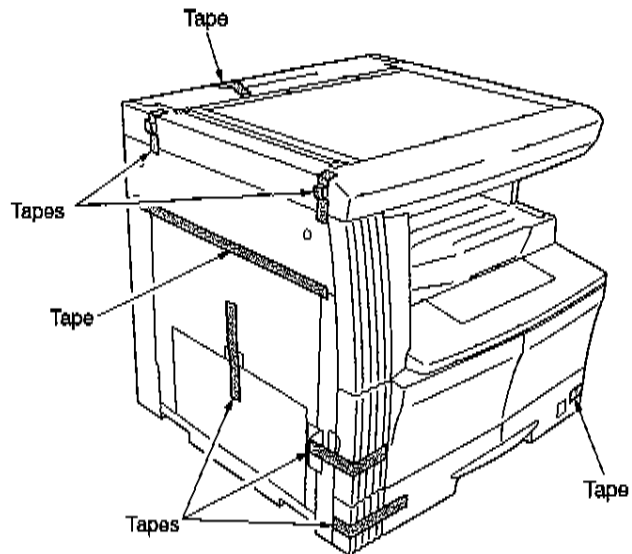


Figure 1-3-2

2. Remove the two pins for light source unit.

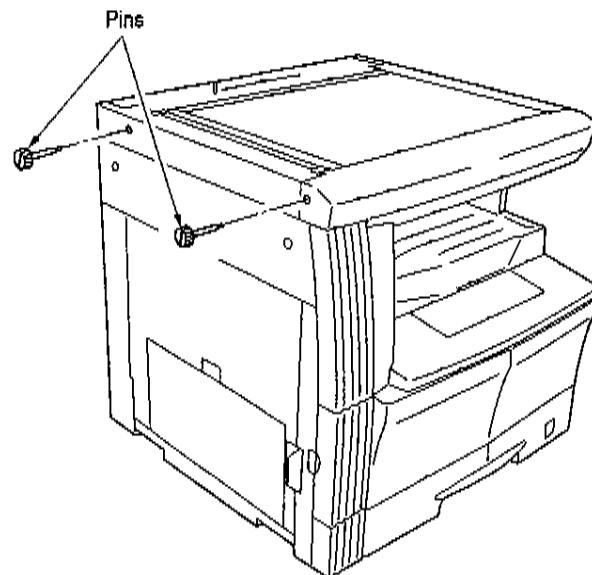


Figure 1-3-3

Install the original cover or the optional DP.

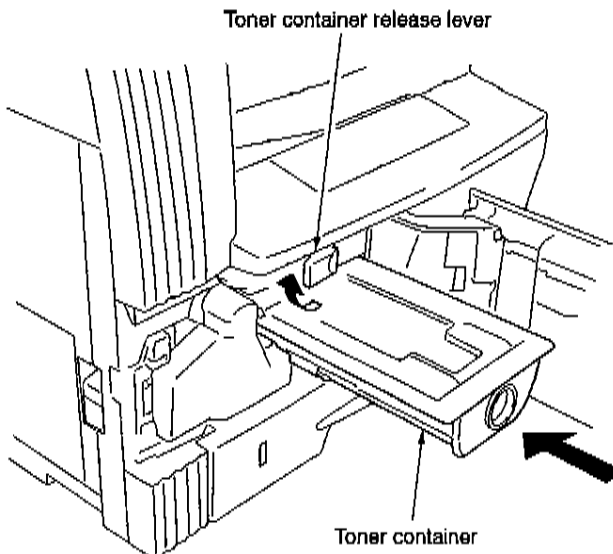
1. Install the original cover or optional DP (see page 1-3-8 to 1-3-10 when installing the DP).

Install the optional duplex unit.

1. Install the optional duplex unit as necessary (see pages 1-3-11 to 1-3-13).

Install the toner container.

1. Open the front cover.
2. Tap the top of the toner container five to six times.
3. Shake the toner container approximately 10 times in the horizontal direction to stir toner.
4. Turn the toner container release lever and gently push the toner container into the copier.
*Push the container all the way into the copier until it locks in place.
5. Restore the toner container release lever.
6. Close the front cover.

**Figure 1-3-4****Connect the power cord.**

1. Connect the power cord to the connector on the copier.
2. Insert the power plug into the wall outlet and turn the power switch on.

Installing the toner (maintenance item U130).

1. Enter the maintenance mode by entering "10871087" using the numeric keys.
2. Enter "130" using the numeric keys and press the start key.
3. Press the start key to execute the maintenance item.
Installation of toner starts and "9" is indicated in the copy quantity display. Each time one minute elapses, the indicated value decrements. When the installation is complete, "Gd" will be displayed if the installation is successful or "nG" will be displayed if it has failed.
4. Press the stop/clear key.

Load paper.

1. Load paper in the drawer.

Output an own-status report (maintenance item U000).

1. Enter "000" using the numeric keys and press the start key.
2. Select "d-L" and press the start key to output a list of the current settings of the maintenance items.
3. Press the stop/clear key.

Exit maintenance mode.

1. Enter "001" using the numeric keys and press the start key.
The machine exits the maintenance mode.

Make test copies.

1. Place an original and make test copies.

Completion of the machine installation.