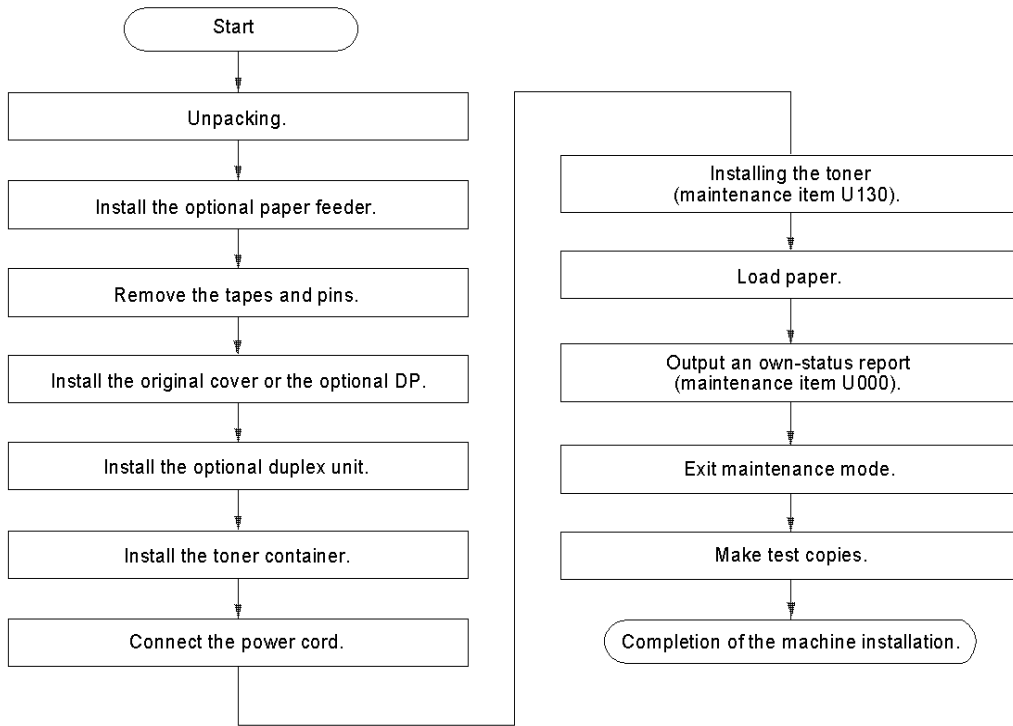


2HA/2HB

### 1-2-2 Unpacking and installation

#### (1) Installation procedure



2HA/2HB

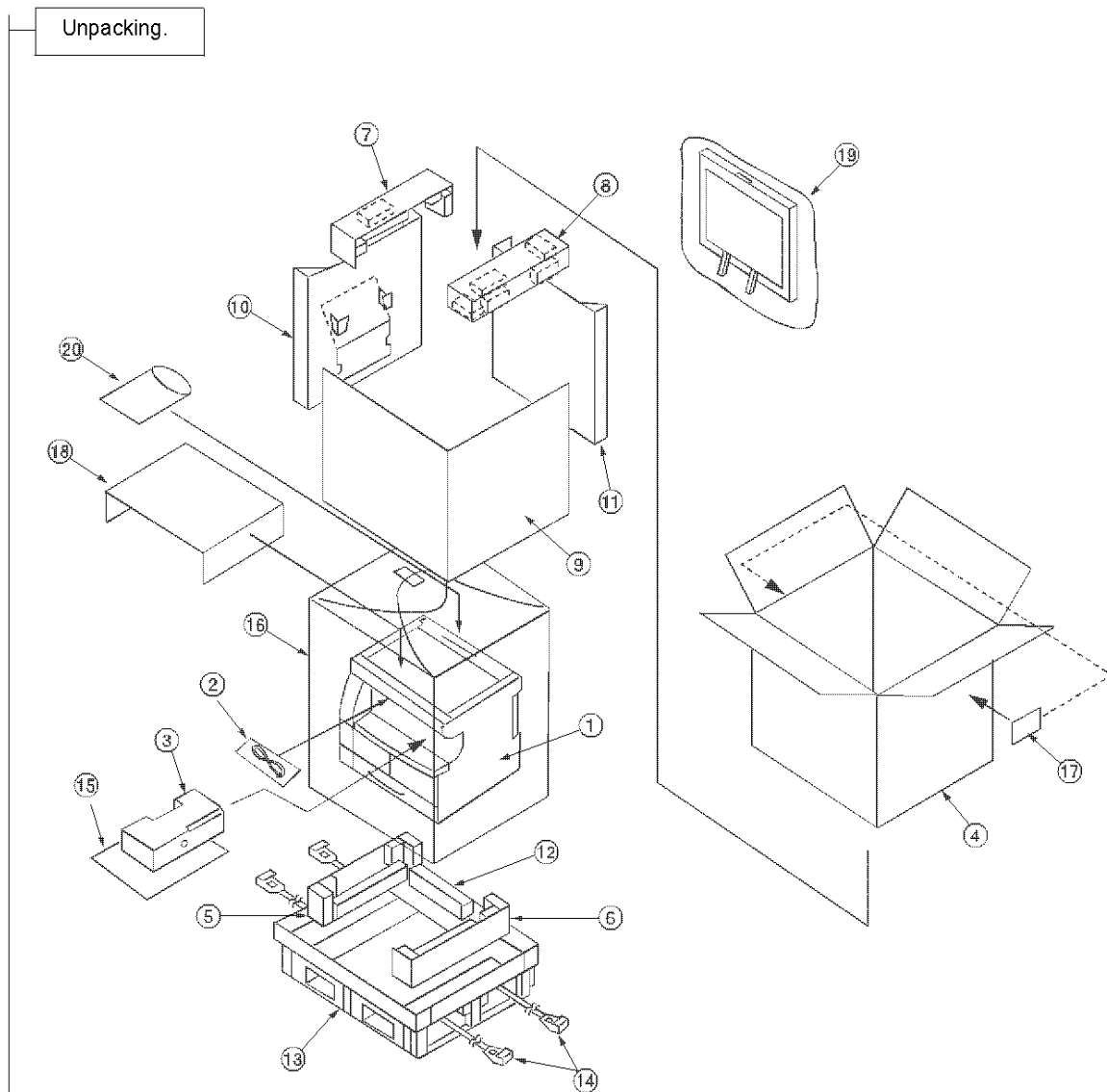


Figure 1-2-2 Unpacking

- |                    |                     |  |
|--------------------|---------------------|--|
| 1. Copier          | 10. Left spacer     | 19. Original holder (Asia and Oceania) |
| 2. Power cord      | 11. Rear spacer     | 20. Operation guide                    |
| 3. Toner container | 12. Rear pad        | Cassette size sheet                    |
| 4. Outer case      | 13. Skid            | Paper protection bag                   |
| 5. Lower left pad  | 14. Belt            | Error code label                       |
| 6. Lower right pad | 15. Eject sheet     | Inspection report                      |
| 7. Upper left pad  | 16. Machine cover   |  |
| 8. Upper right pad | 17. Bar code labels |  |
| 9. Inner frame     | 18. Top sheet       |  |

Place the machine on a level surface.

2HA/2HB

Install the optional paper feeder.

- 1. Install the optional paper feeder as necessary.

Remove the tapes and pins.

- 1. Remove the eleven tapes.

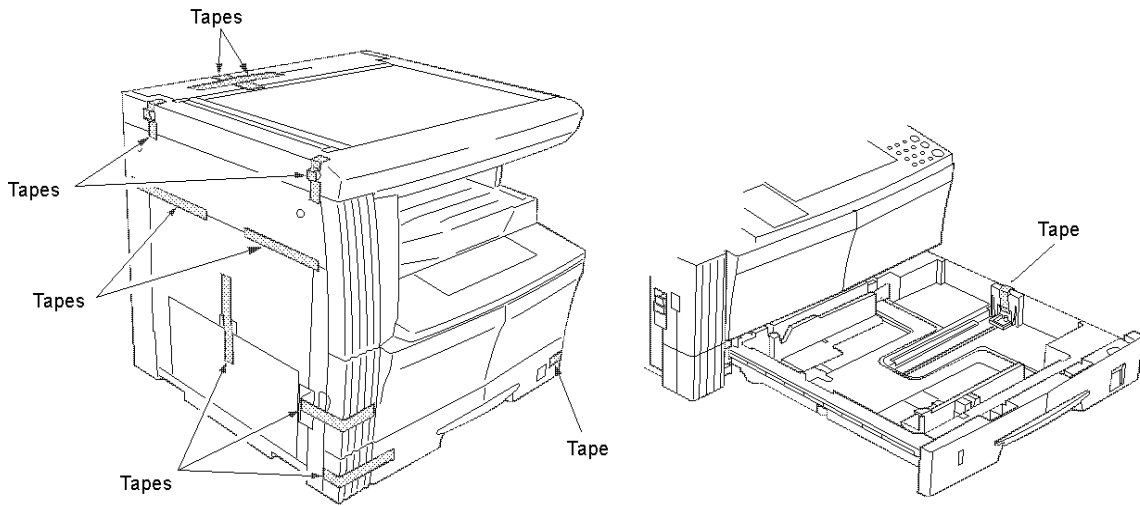


Figure 1-2-3

- 2. Remove the two pins for light source unit.

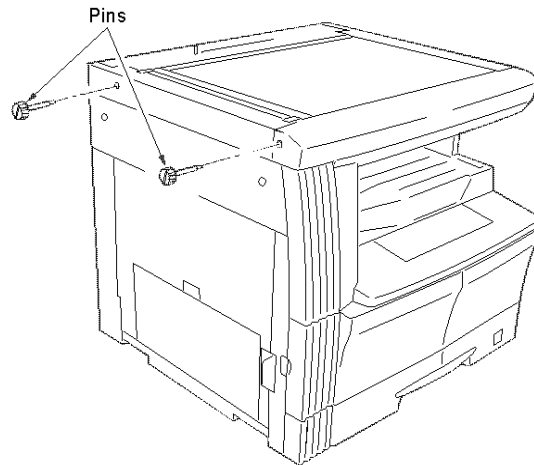


Figure 1-2-4

Install the original cover or the optional DP.

- 1. Install the original cover or optional DP.

Install the optional duplex unit.

- 1. Install the optional duplex unit as necessary.

Install the toner container.

1. Hold the new toner container vertically and tap the upper part five times or more.
2. Turn the toner container upside down and tap the upper part five times or more.
3. Shake the toner container up and down five times or more.
4. Turn the toner container upside down and shake it five times or more.
5. Hold the toner container horizontally and shake it from side to side five times or more.

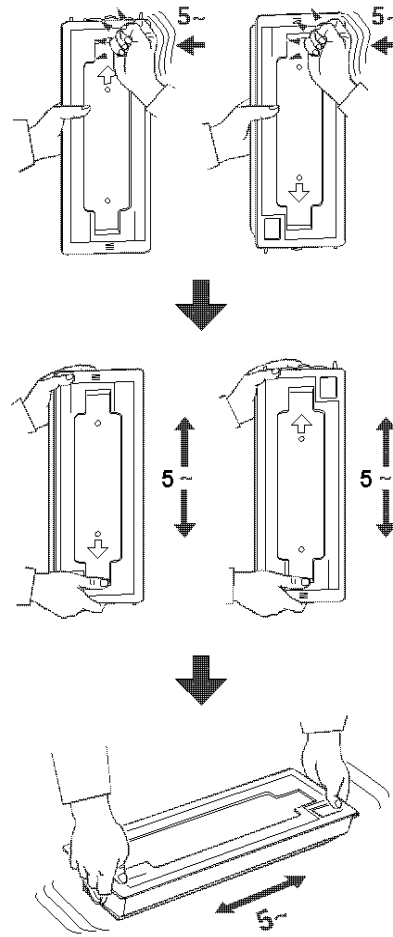


Figure 1-2-5

6. Open the front cover.
7. Turn the toner container release lever and gently push the toner container into the copier.  
Push the container all the way into the copier until it locks in place.
8. Restore the toner container release lever.
9. Close the front cover.

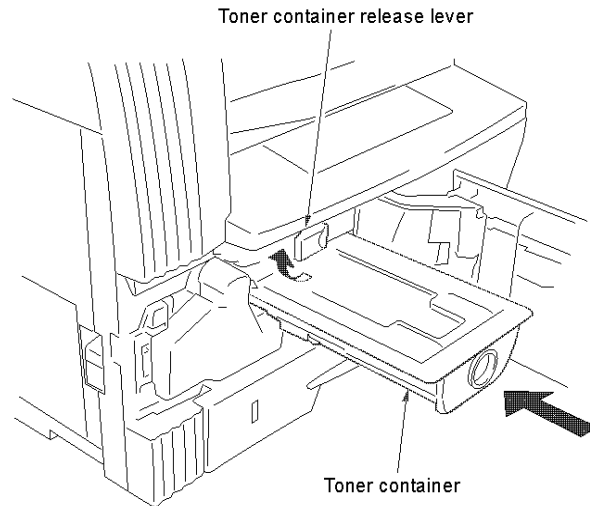


Figure 1-2-6

2HA/2HB

Connect the power cord.

1. Connect the power cord to the connector on the copier.
2. Insert the power plug into the wall outlet and turn the power switch on.

Installing the toner (maintenance item U130).

1. Enter the maintenance mode by entering "10871087" using the numeric keys.
2. Enter "130" using the numeric keys and press the start key.
3. Press the start key to execute the maintenance item.  
Installation of toner starts and "10" is indicated in the copy quantity display. Each time one minute elapses, the indicated value decrements. When the installation is complete, "Gd" will be displayed if the installation is successful or "nG" will be displayed if it has failed.
4. Press the stop/clear key.

Load paper.

1. Load paper in the drawer.

Output an own-status report (maintenance item U000).

1. Enter "000" using the numeric keys and press the start key.
2. Select "d-L" and press the start key to output a list of the current settings of the maintenance items.
3. Press the stop/clear key.

Exit maintenance mode.

1. Enter "001" using the numeric keys and press the start key.  
The machine exits the maintenance mode.

Make test copies.

1. Place an original and make test copies.

Completion of the machine installation.

**1-2-3 Setting initial copy modes**

Factory settings are as follows:

Maintenance item No.	Contents	Factory setting
U253	Switching between double and single counts	Double count
U254	Turning auto start function on/off	ON
U258	Switching copy operation at toner empty detection	SINGLE MODE
U260	Changing the copy count timing	After ejection
U277	Setting auto application change time	30
U342	Setting the ejection restriction	ON
U343	Switching between duplex/simplex copy mode	Simplex copy
U344	Setting preheat/energy saver mode	ENERGY STAR