

INSTALLATION

1. INSTALLATION

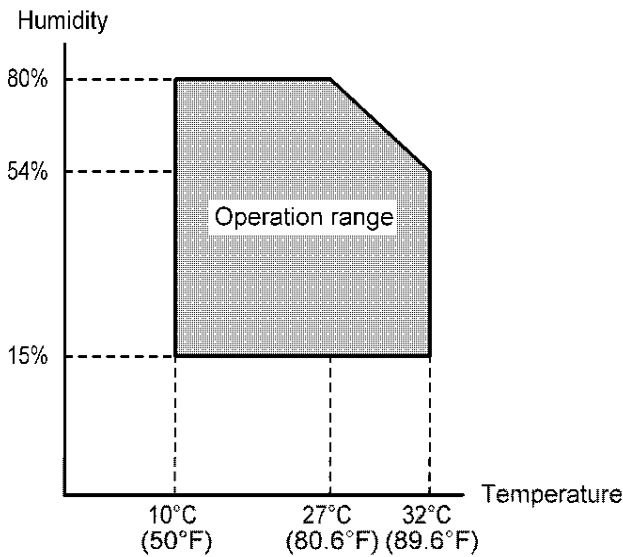
1.1 INSTALLATION REQUIREMENTS

⚠ CAUTION

- Before installing options, please do the following:
 - If there is a printer option in the machine, print out all data in the printer buffer.
 - Turn off the main switch and disconnect the power cord, the telephone line, and the network cable.

1.1.1 ENVIRONMENT

–Temperature and Humidity Chart–



▪ Temperature Range:	10C to 32C (50F to 89.6F)
▪ Humidity Range:	15% to 80% RH
▪ Ambient Illumination:	Less than 1,500 lux (do not expose to direct sunlight)
▪ Ventilation:	3 times/hr/person or more
▪ Ambient Dust:	Less than 0.075 mg/m3 (2.0 x 10-6 oz/yd3)
▪ Avoid areas exposed to sudden temperature changes:	1) Areas directly exposed to cool air from an air conditioner. 2) Areas directly exposed to heat from a heater.
▪ Do not place the machine in areas where it can get exposed to corrosive gases.	
▪ Do not install the machine at any location over 2,000 m (6,500 ft.) above sea level.	

Installation Requirements

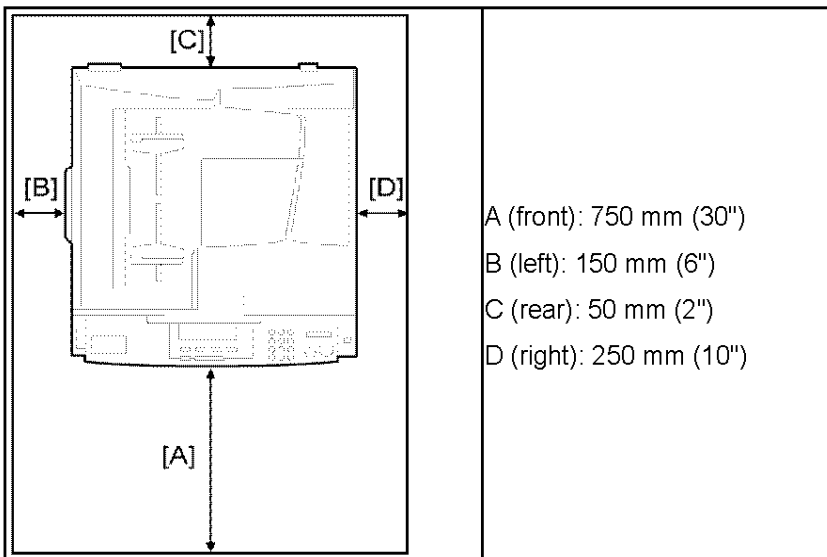
- | |
|--|
| <ul style="list-style-type: none"> Place the machine on a strong and level base. (Inclination on any side should be no more than 5 mm.) |
| <ul style="list-style-type: none"> Do not place the machine where it is subjected to strong vibrations. |

1.1.2 MACHINE LEVEL

Front to back:	Within 5 mm (0.2") of level
Right to left:	Within 5 mm (0.2") of level

1.1.3 MINIMUM SPACE REQUIREMENTS

Place the copier near the power source, providing clearance as shown:



The recommended 750 mm front space is sufficient to allow the paper tray to be pulled out. Additional front space is required to allow operators to stand at the front of the machine.

1.1.4 POWER REQUIREMENTS

⚠ CAUTION

- Make sure that the wall outlet is near the machine and easily accessible. After completing installation, make sure the plug fits firmly into the outlet.
- Avoid multi-wiring.
- Be sure to ground the machine

Input voltage:

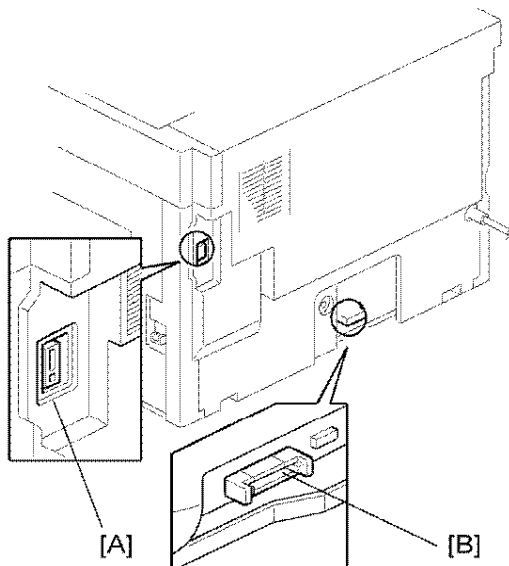
North and South America, Taiwan:	110 – 120 V, 60 Hz, 12 A
Europe, Asia:	220 – 240 V, 50/60 Hz, 7 A

1.2 COPIER INSTALLATION

1.2.1 POWER SOCKETS FOR PERIPHERALS

⚠ CAUTION

- Make sure to plug the cables into the correct sockets.



[A]: Socket for ADF/ARDF (Rated voltage output max. DC24 V)

[B]: Socket for paper tray unit (Rated voltage output max. DC24 V)

1.2.2 ACCESSORY CHECK

Check that you have the accessories in this list.

Basic Machines

No.	Description	Q'ty
1	NECR-English /Multi-language (-17, -27,-19, -29)	1
2	EU Safety Sheet (-27, -22,-24, -26)	1
3	Laser Decal (-27, -22,-24, -26, -19, -28, -29)	1
4	Model Name Plate (-22,-29)	1

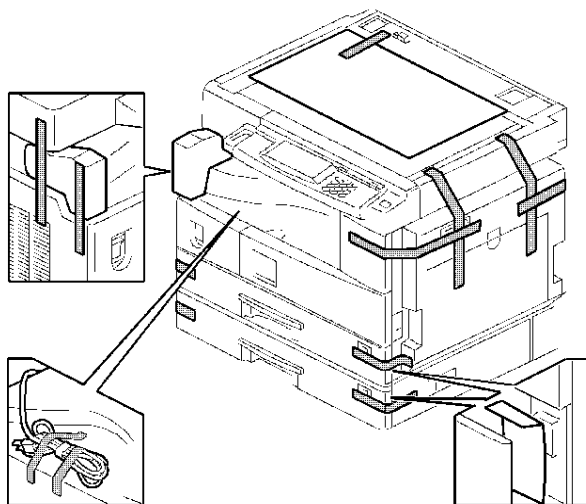
Copier Installation

DDST Machines

No	Description	Q'ty
1	NECR-English /Multi-language (-19, -29)	1
2	Laser Decal (-19, -29)	1
3	Model Name Plate (-19, -29)	1
4	Operating Instructions (-19, -29)	1
5	General Setting Guide (-19, -29)	1
6	Copy Reference (-19, -29)	1
7	Printer/Scanner Reference (-19, -29)	1
8	Network Reference (-19, -29)	1
9	Quick Guide Copy Edition (-19, -29)	1
10	Quick Guide Printer/Scanner Edition (-19, -29)	1
11	Manual for this machine (-19, -29)	1
12	Safety Information (-19, -29)	1

1.2.3 INSTALLATION PROCEDURE**⚠ CAUTION**

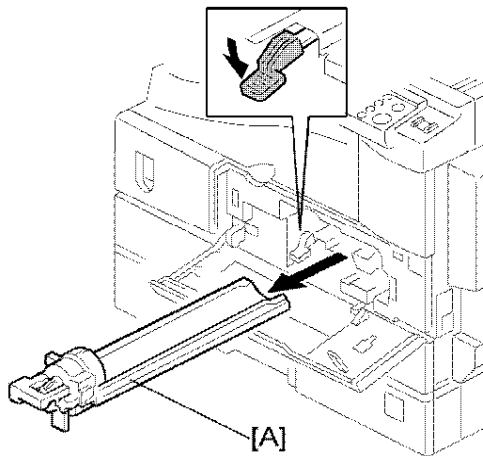
- Unplug the machine power cord before starting the following procedure.



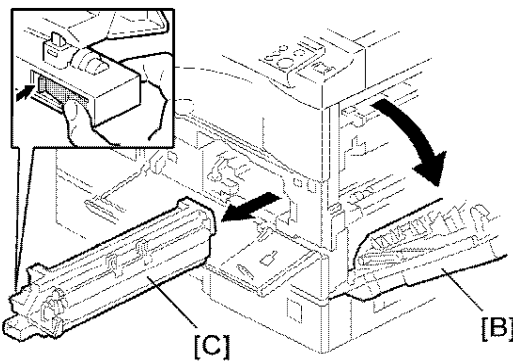
- 1. Remove filament tape and other padding.**

Copier Installation

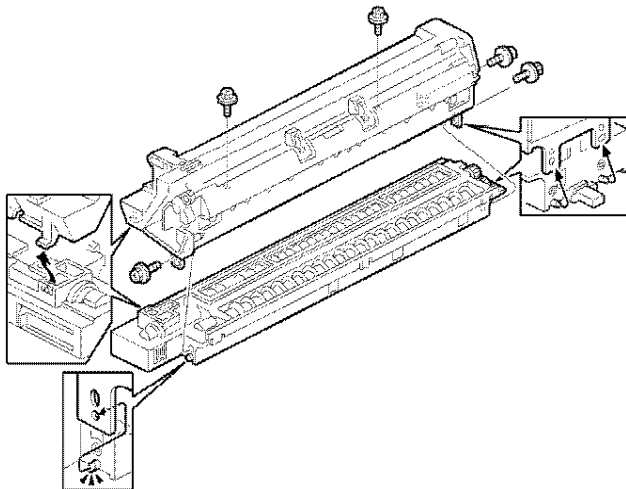
Installation



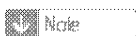
2. Open the front door and remove the toner bottle holder [A]



3. Open the right door [B], and remove the PCU (photoconductor unit) [C].

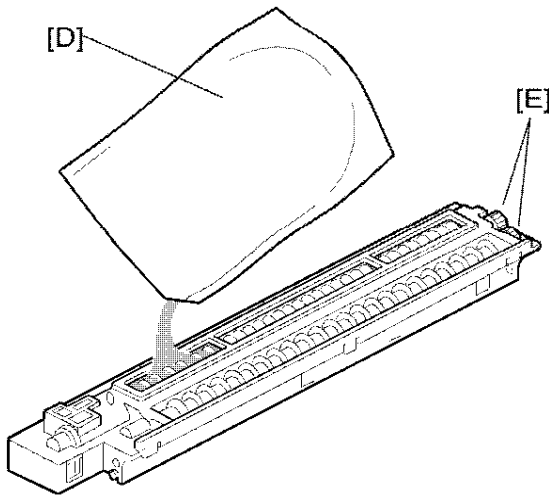


4. Separate the PCU into the upper part and the lower part (x 5).
5. Put a sheet of paper on a level surface and place the upper part on it.

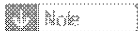


Copier Installation

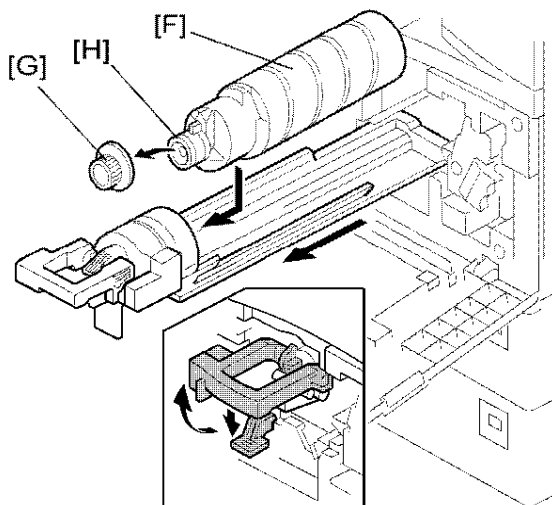
- This prevents foreign material from getting on the sleeve rollers



6. Distribute a pack of developer [D] to all openings equally.

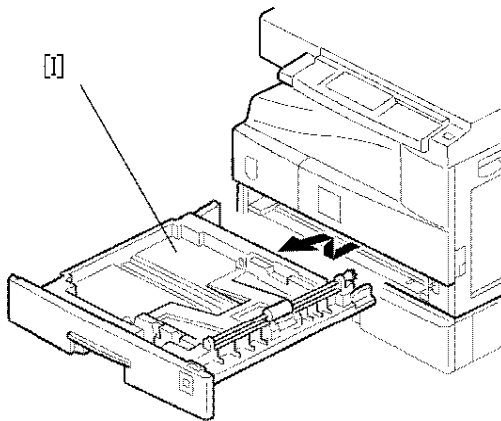


- Do not spill the developer on the gears [E]. If you have spilled it, remove the developer by using a magnet or magnetized screwdriver.
- Do not turn the gear [E] too much. The developer may spill.



7. Reassemble the PCU and reinstall it.
8. Shake the toner bottle [F] several times. (Do not remove the bottle cap [G] before you shake the bottle.)
9. Remove the bottle cap [G] and install the bottle on the holder. (Do not touch the inner cap [H].)
10. Set the holder (with the toner bottle) in the machine.

Copier Installation



- 11. Pull out the paper tray [I] and turn the paper size dial to the appropriate size. Adjust the positions of the end and side guides.**

Note

- To move the side guides, release the green lock on the rear side guide.

- 12. Install the optional ARDF, ADF, or platen cover.**
- 13. Plug in the main power cord and turn on the main switch.**
- 14. Activate the SP mode and execute "Devlpr Initialize" (SP 2214 1).**
- 15. Wait until the message "Completed" shows (about 45 seconds).**
- 16. Activate the User Tools and select the menu "Language."**
- 17. Specify a language. This language is used for the operation panel.**
- 18. Load the paper in the paper tray and make a full size copy, and make sure the side-to-side and leading edge registrations are correct.**